

## Dc filter high attenuation for photovoltaic application. Single phase filter ad high current

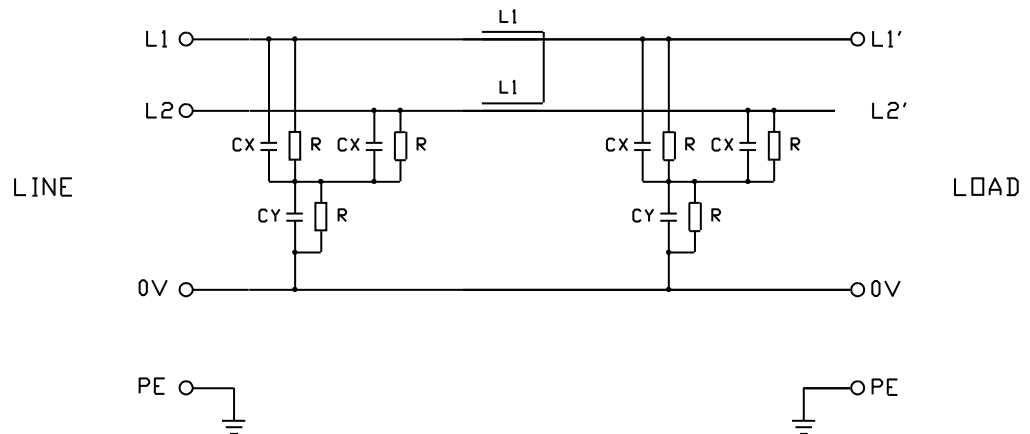
**Electric characteristics**



	<b>Nominal Voltage</b>	1000 V <sub>DC</sub> 700 V <sub>AC</sub> – 50/60 Hz
	<b>Nominal current at 50°C ambient</b>	See tab,
	<b>Nominal current at 40°C ambient</b>	See tab.
	<b>phase to phase test voltage</b>	4500 V <sub>DC</sub> (2 s)
	<b>phase to ground test voltage</b>	3900 V <sub>AC</sub> - 50 Hz (2 s)
	<b>Climatic class</b>	-25/+85 °C
<b>Total leakage current at 250Vac phase to ground 50Hz (0V connected to PE)</b>	<b>Nominal</b>	35 mA
	<b>Worst case</b>	105 mA

Model	Nominal curr at 40°C (A)	Nominal curr at 50°C (A)	Case
FIN1520.016.V.0V	2x18	2x16	1
FIN1520.050.V.0V	2X55	2X50	2
FIN1520.080.V.0V	2X90	2X80	3
FIN1520.150.V.0V	2X165	2X150	4
FIN1520.250.V.0V	2X275	2X250	5
FIN1520.400.B.0V	2X440	2X400	6
FIN1520.600.B.0V	2X650	2X600	7
FIN1520.1250.B.0V	2X1350	2X1250	8
FIN1520.1500.B.0V	2x1600	2x1500	8

**Electric diagram**

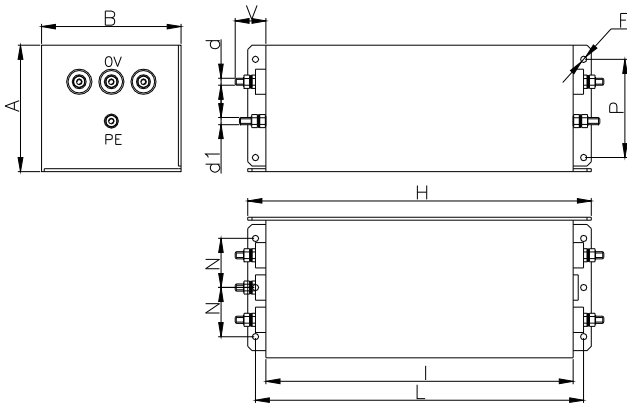


## Mechanical dimensions (mm)

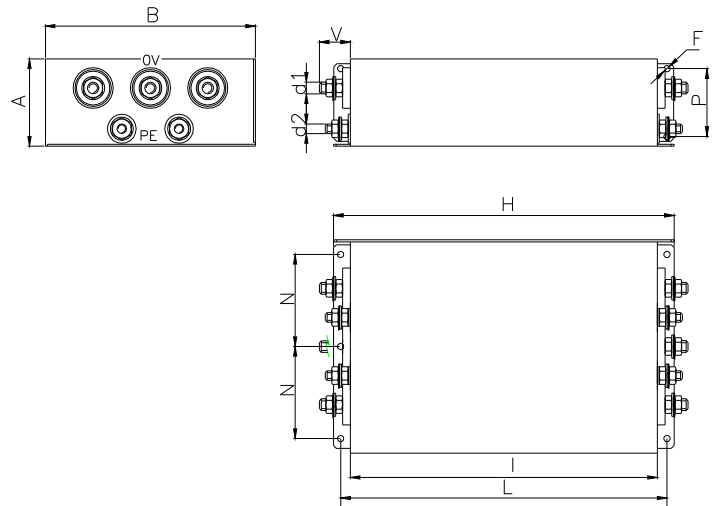
Model	A	B	d ( )	d1	d2	d3	V	F	H	I	L	N	P	Case
FIN1520.016.V.0V	90	100	M5	M5	-	-	20,5	4,5	246	220	235	35	70	1
FIN1520.050.V.0V	90	100	M6	M6	-	-	28	4,5	246	220	235	35	70	2
FIN1520.080.V.0V	90	185	M8	M8	-	-	25	6,5	356	320	340	77,5	70	3
FIN1520.150.V.0V	90	220	-	M10	M10	-	30	6,5	356	320	340	95	70	4
FIN1520.250.V.0V	90	220	-	M12	M10	-	30	6,5	356	320	340	95	70	5
FIN1520.400.B.0V	130	230	8,5	M10	10	25	35	6,5	420	380	400	100	100	6
FIN1520.600.B.0V	130	230	10,5	M10	15	30	48	6,5	510	450	480	100	100	7
FIN1520.1250.B.0V	180	350	14	M12	20	60	97	8,5	610	550	580	150	130	8
FIN1520.1500.B.0V	180	350	14	M12	20	60	97	8,5	610	550	580	150	130	8

Measure are in mm

Case 1, 2, 3



Case 4, 5



Case 6, 7, 8

